

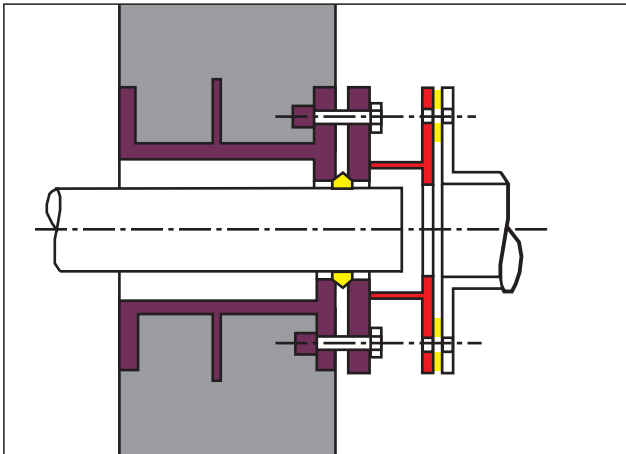
Wall Entrances

Know-how of wall passage

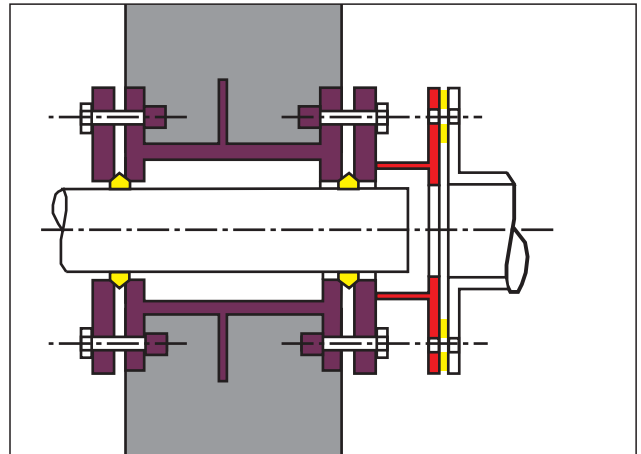


- For passing pipes through building walls
- For installation flush with the concrete form or for retrofitting
- For elevated reservoirs, clarification tanks, shafts

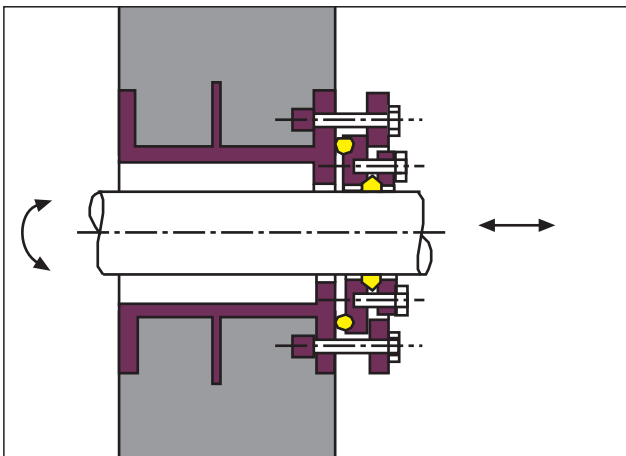
►► Our range of products



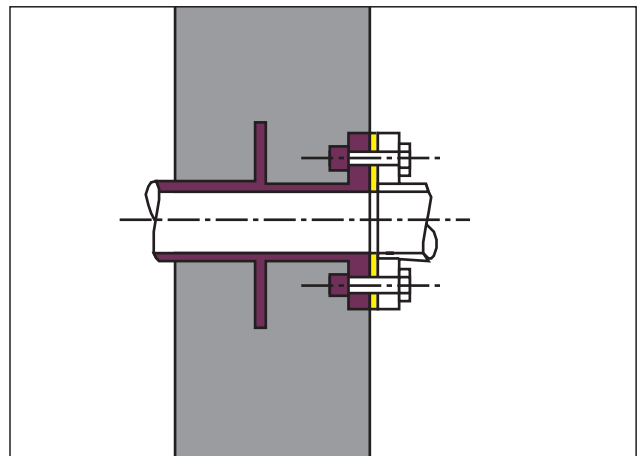
WD 1 Sealing on one side (not illustrated)
 WD 1 / FF Sealing on one side with FF-piece FF-Stück
 WD 1 / F Sealing on one side with foil flange (not ill.)



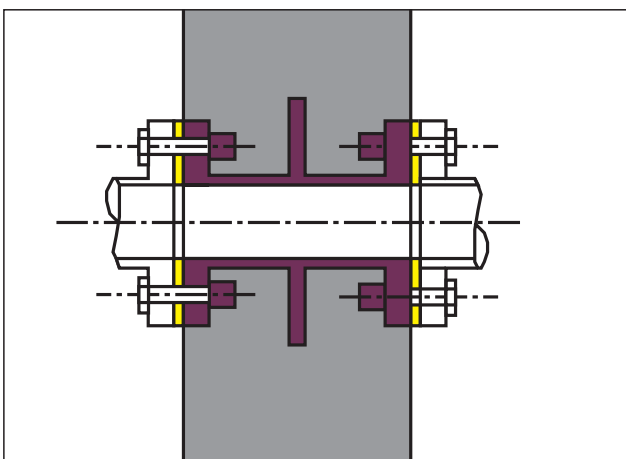
WD 2 Sealing on two sides (not illustrated) .)
 WD 2 / FF Sealing on two sides with FF-piece
 WD 2 / F Sealing on two sides with foil flange (not ill.)



WD 3 Sealing on one side, elastic in radial angle
 WD 3 / F Sealing on one side with foil flange (not ill.)



WD 4 / F With connection flange on one side
 WD 8 Sealing on one side
 WD 8 / F Sealing on one side



WD 5 / F With connection flange on two sides

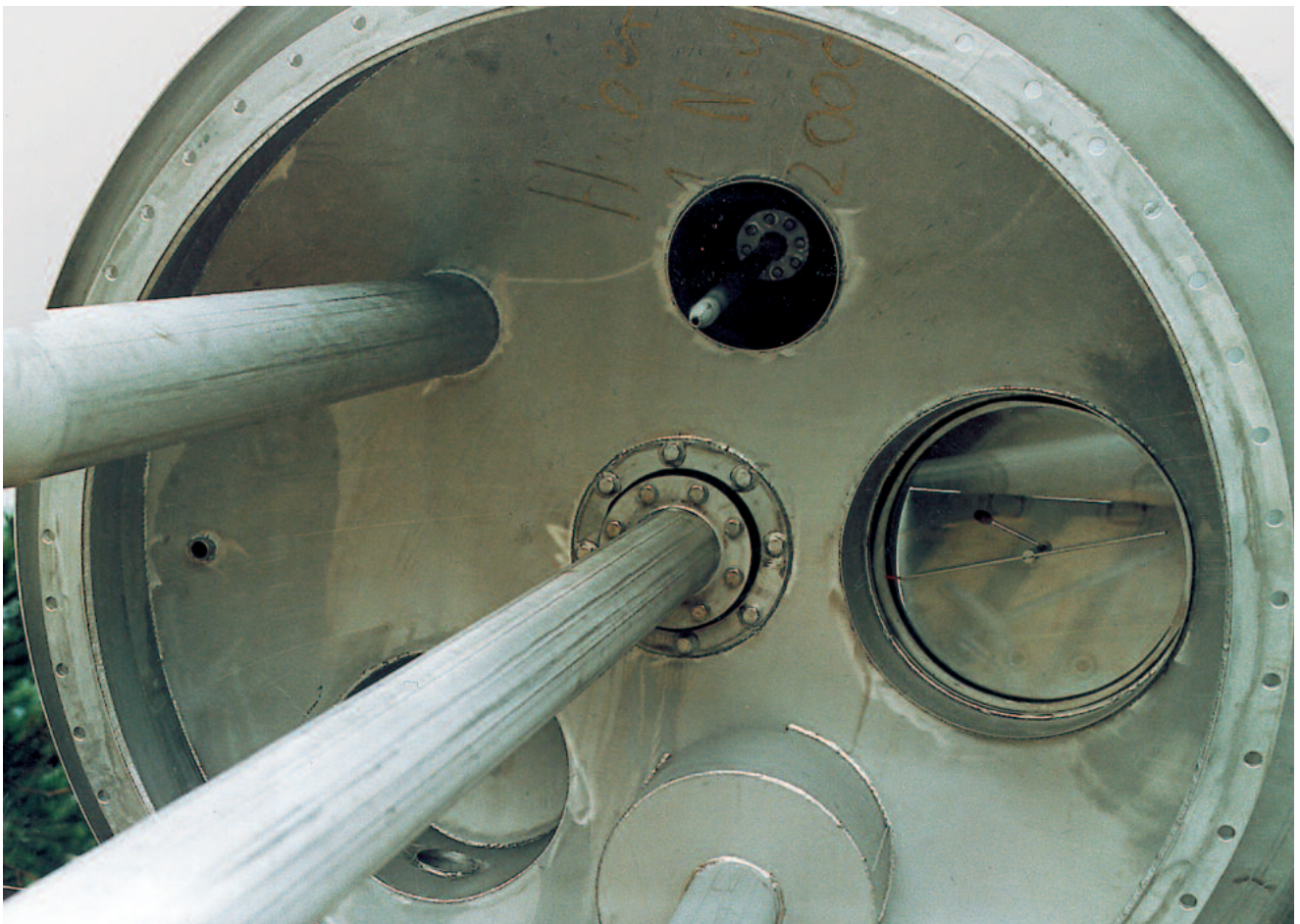
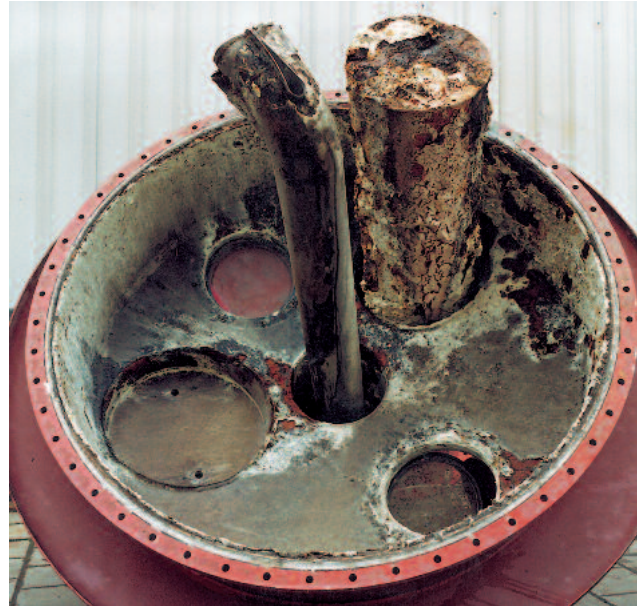
➤ Steel is not good enough

Before renovation

Completely corroded gas hood in a digester six years after installation. Aggressive media have destroyed the surface. Wall entrances are set in concrete, they must provide the same durability as the concrete structure. Their replacement is expensive and labour intensive. It is therefore necessary to make sure from the beginning that the right material, stainless steel, is chosen.

After renovation

- Durable, virtually maintenance-free for decades
- Complete corrosion resistance
- Prompt availability, reliable operation
- Extremely cost-effective



➤ Expert processing of stainless steel

HUBER wall entrances meet any requirements:

- Can be cast in
- Watertight
- With insect filter
- Elastic in:
 - longitudinal axial direction
 - radial angle direction
 - axle deviation
- Optional connection for foil linings

HUBER stainless steel products are the perfect solution for municipal and industrial water supply and wastewater treatment applications. Whatever the requirement, stainless steel is the material which satisfies the highest demands:

- Long life
- Complete corrosion protection from pickling bath and passivation
- Standard product range for simple planning and competitive price
- Security for men and environment due to maximum hygienic standards



We also provide our experience and our know-how with special design for individual customer requirements.

HUBER SE

Industriepark Erasbach A1 · D-92334 Berching
Phone: + 49 - 84 62 - 201 - 0 · Fax: + 49 - 84 62 - 201 - 810
info@huber.de · Internet: www.huber.de

Subject to technical modification
0,05 / 3 – 8.2010 – 11.2004

PG 5 Wall Entrances