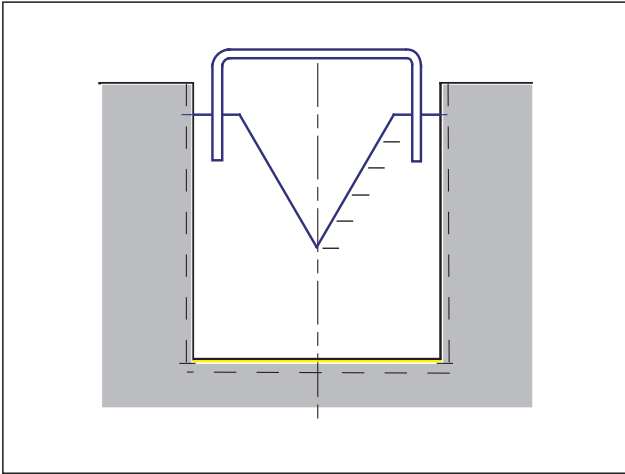


Flow Control Devices



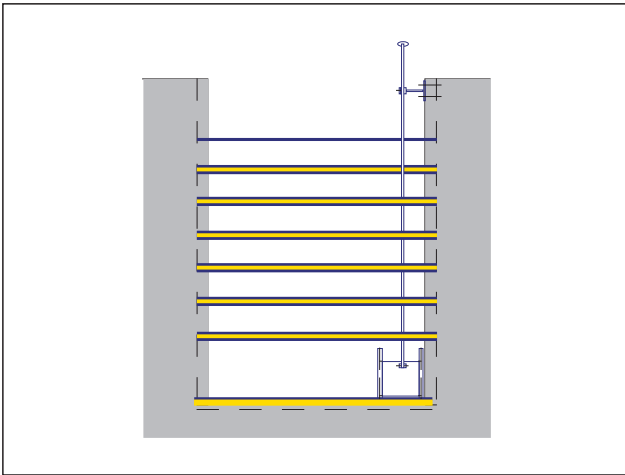
Effective regulation of channels
Open and closed channel regulation
for WWTPs, stormwater overflow tanks, sewers

➤➤ Our range of products:



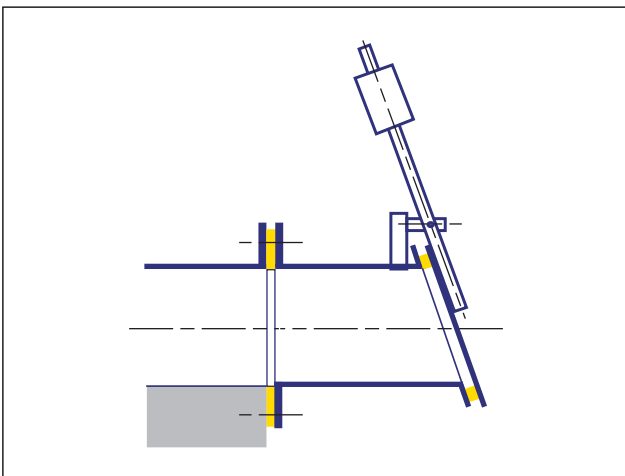
Hand stop / restrictor

- Hand stop A 1
- Hand restrictor A 2
calibrated for measurement of flow rate



Stop logs

- without outlet slide A 3
- with outlet slide, can be removed
without contact of fluid



Back valves

- Round construction A 6
- Rectangular construction A 7
with counter balance

➤➤ This can be avoided:

Smooth operation of a plant

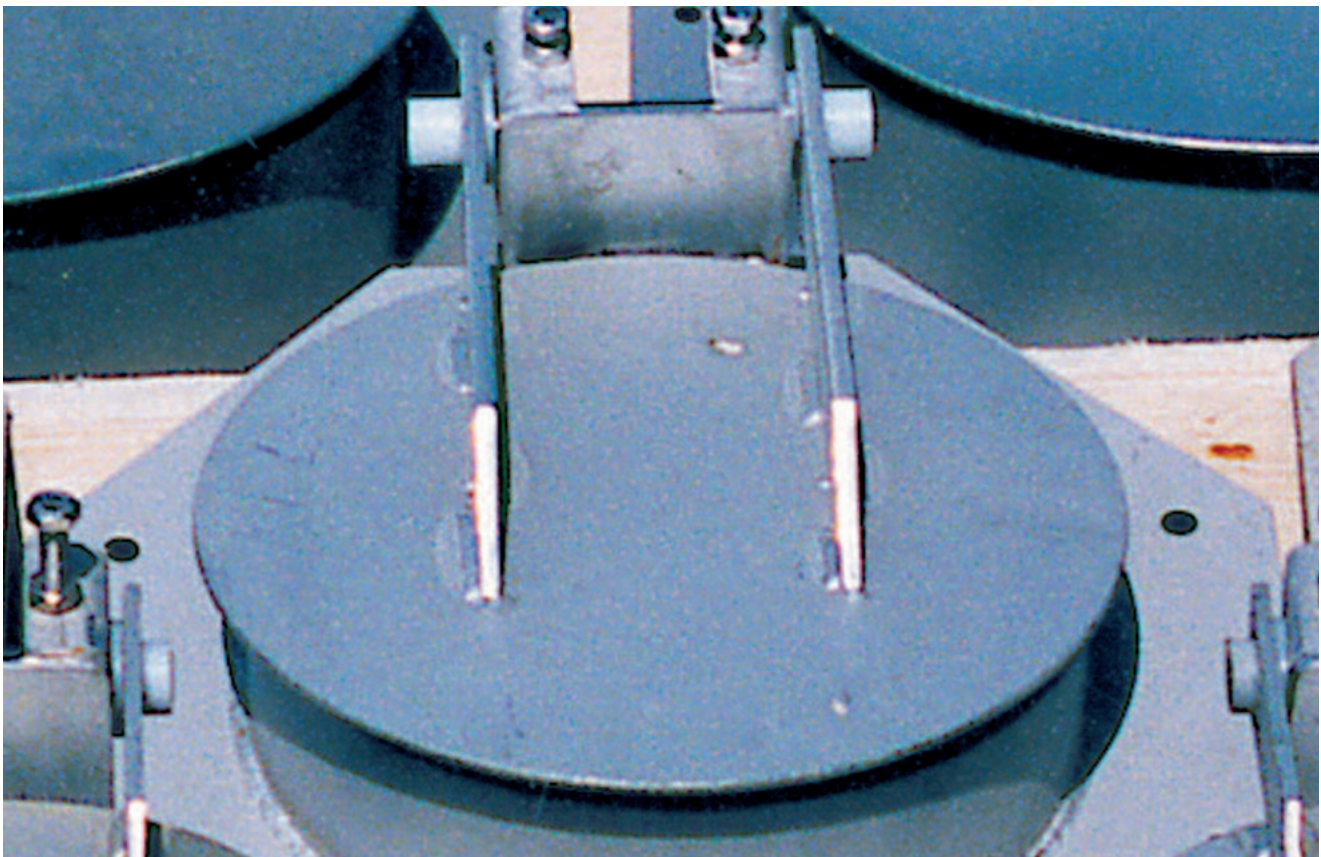
When it comes to upgrading a sewage treatment plant, operators in particular appreciate perfectly sealed flow control devices because the time needed for maintenance is considerably reduced.

If stainless steel parts have been installed, maintenance required for these devices as well as plant downtimes are also kept to a minimum. Maintenance costs for installed components amount to approx. 60 % of the total maintenance expenditure unless stainless steel parts are used.

After renovation

Only about 5 % of the total costs for a STW are spent on installed components. It is therefore necessary to make sure from the beginning that the right material, stainless steel, is chosen. Its advantages are obvious:

- Durable and maintenance-free
- Complete corrosion resistance
- Prompt availability, reliable operation
- Extremely cost-effective



➤➤ Expert processing of stainless steel

Our range of flow control devices offer all these benefits:

- Reliable seals
- Simple to operate
- Installation by experts if required
- Wastewater-proof seals combined with stainless steel for long life and durability
- Advisory service backed by decades of practical experience

HUBER stainless steel products are the best for use in water supply or municipal and industrial wastewater treatment. Whatever the requirement, stainless steel is the material which satisfies the highest demands.

- Long life
- Complete corrosion protection from pickling bath and passivation
- Standard product range for simple planning and competitive price
- The best solution for safety, hygiene and the environment



HUBER SE

Industriepark Erasbach A1 · D-92334 Berching
Phone: + 49 - 84 62 - 201 - 0 · Fax: + 49 - 84 62 - 201 - 810
info@huber.de · Internet: www.huber.de

Subject to technical modification
0,05 / 2 - 8.2010 - 11.2009

PG 3 Flow control devices