
➤➤ HUBER emergency escape cover

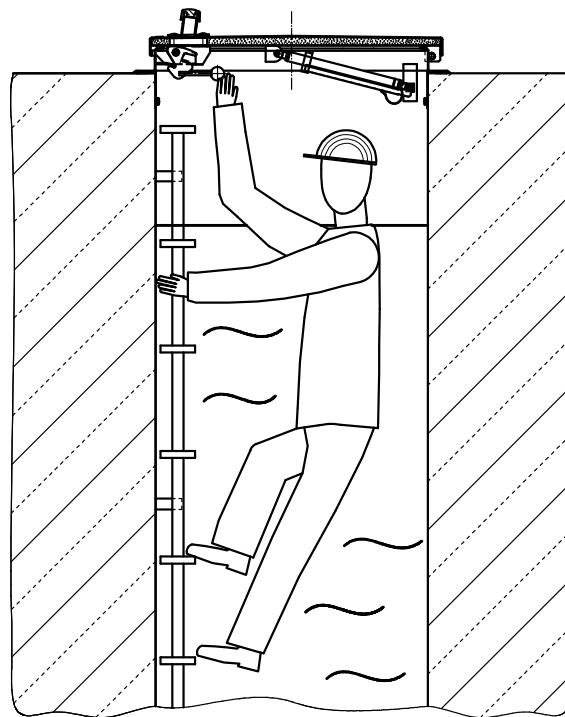
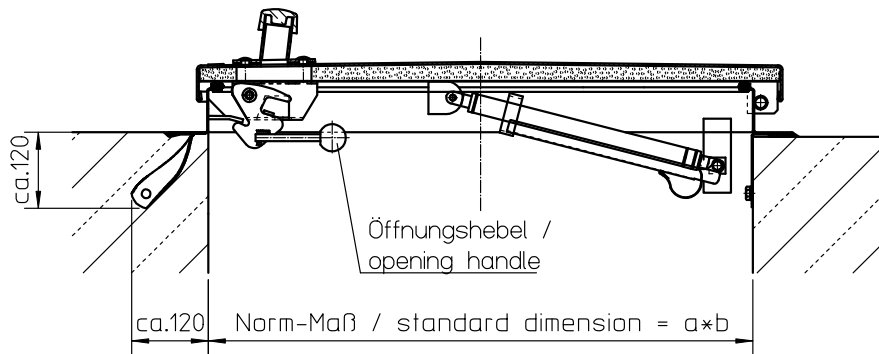
Manhole cover which can be opened from inside, self-lifting

HUBER emergency exit, additional component available for all SD1/2/3/4 type manhole covers.

The HUBER emergency escape function enables opening of the manhole cover both from inside and outside. When operating the opening handle the cover opens automatically without the need for any further manual activation.

Variante / version I:
Rahmen wird einbetoniert
frame for embedding in concrete

Variante / version II:
Rahmen wird angedübelt
frame for bolted fixing



HUBER SE

Industriepark Erasbach A1 · D-92334 Berching
Phone: + 49 - 84 62 - 201 - 0 · Fax: + 49 - 84 62 - 201 - 810
info@huber.de · Internet: www.huber.de

Subject to technical modification
Drawing No. 190.464, 8.2010

HUBER emergency escape cover SD N